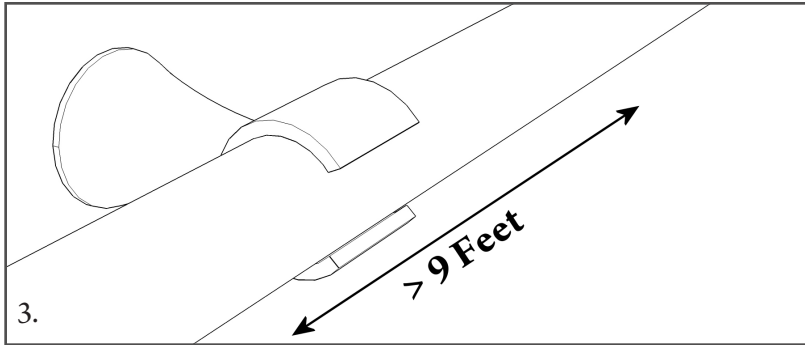
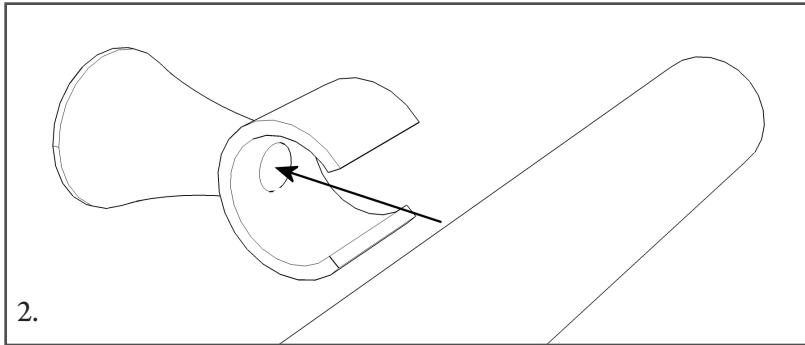
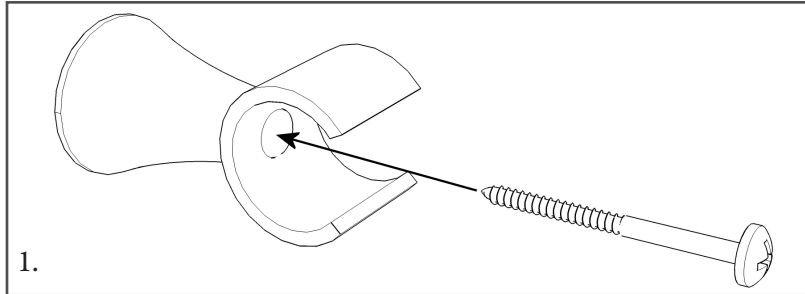


DURAROD

Outdoor Drapery Hardware

Horizontal Mount

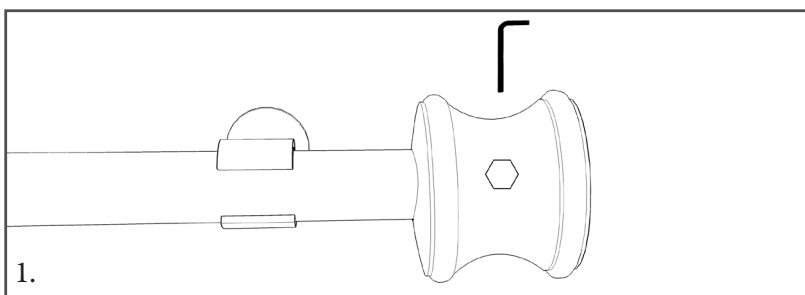


1 - Attach Snapmounts to surface with 3" screw (not supplied) using appropriate type (drywall, wood, metal, concrete, etc.)

2 - After Snapmounts are installed, "snap" rod into the mount.

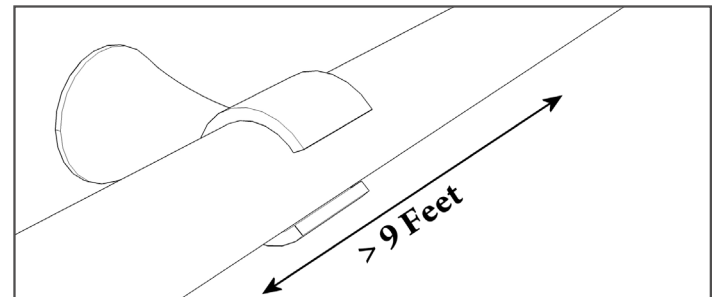
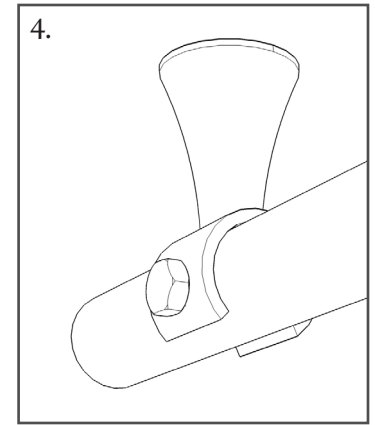
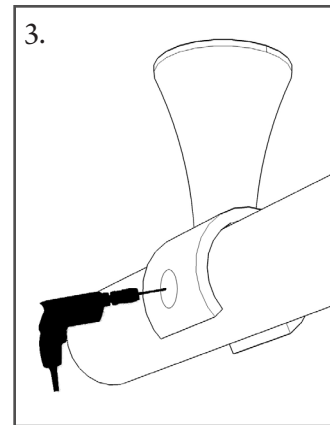
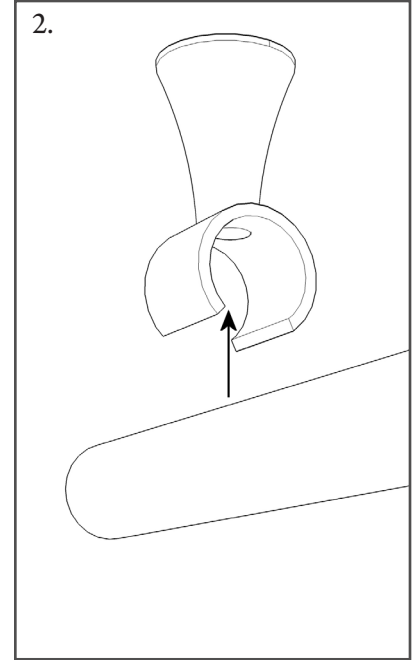
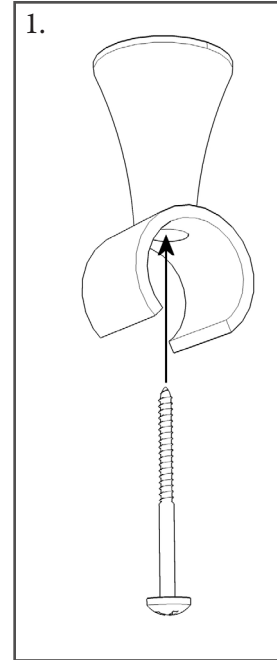
3 - We recommend using a center support on rods exceeding 9 feet.

Finials (optional)



1 - Finials are installed with a set screw. Use allen wrench to tighten to Durarod.

Vertical Mount



1 - Attach Snapmounts to surface with 3" screw (not supplied) using appropriate type (drywall, wood, metal, concrete, etc.)

2 - After Snapmounts are installed, "snap" rod into the mount.

3 - Drill hole through SnapMount and Durarod.

4 - Install bolt and nut to secure rod.

5 - We recommend using a center support on rods exceeding 9 feet.